

C O N T R O L V A L V E S



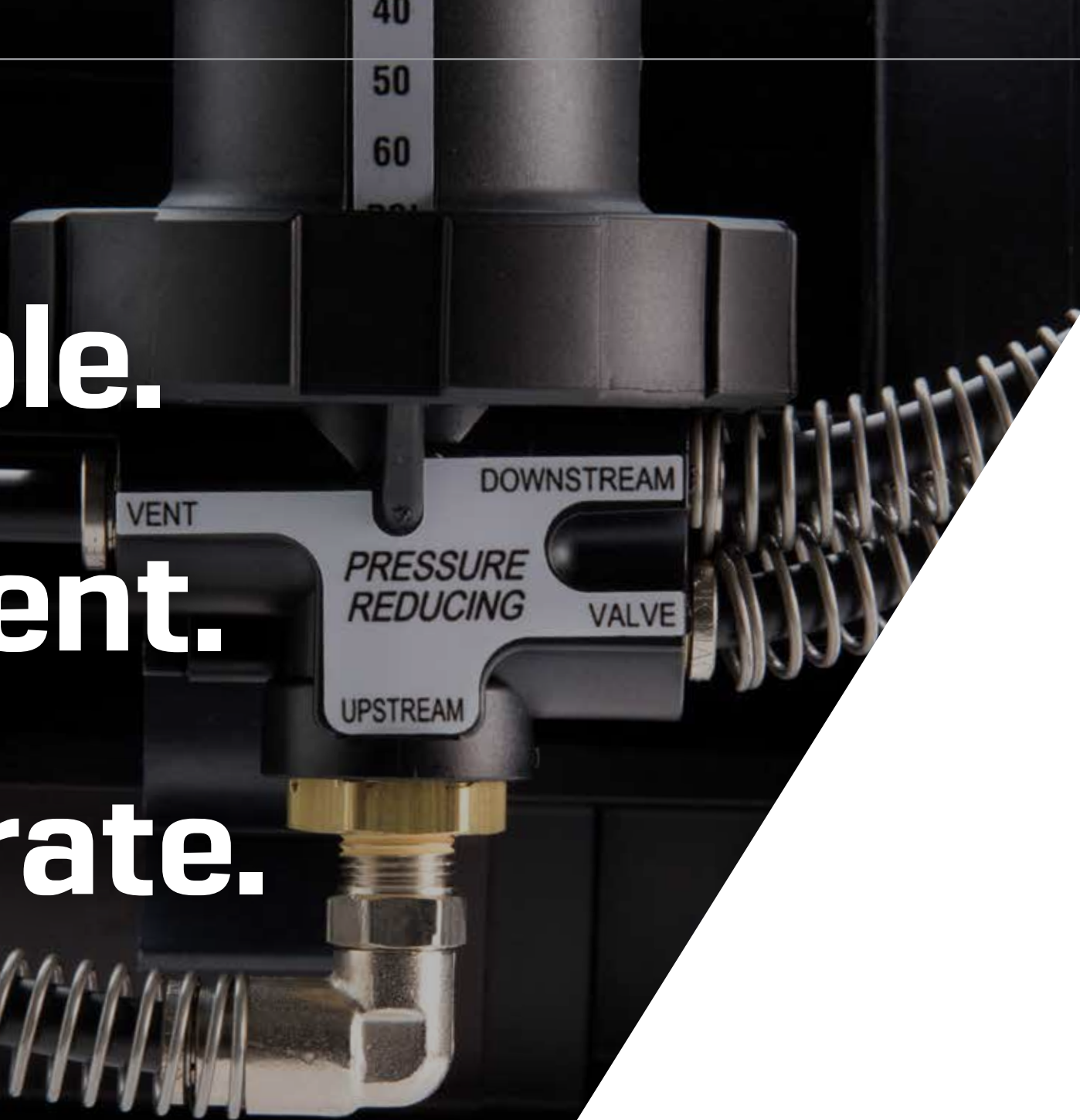
Control Valves:

800 Series Valves

1000 Series Valves

Air Control Valves

Durable.
Efficient.
Accurate.



Premium Performance

Not all valves are created equal. As a hydraulically operated sleeve-type valve, Nelson control valves are designed for reliable and efficient operation. There simply isn't any other valve with better hydraulic performance – from the smooth open/close, to the ultra-accurate pressure control pilot and high flow capacity. Every Nelson valve is custom built and is functionally tested before it goes out the door.



CONTROL VALVE FAMILY

HYDRAULIC STABILITY

Nelson's complete line of control valves maintain optimum hydraulic performance in agricultural and industrial applications where reliability is key. Solutions include zone control, pressure control, flow control, and air control.



800 SERIES

- ✔ Up to 200 psi (13.8 bar)
- 📏 2" / 3" / 4" / 6" / 8"
- ⚙️ Aluminum / Cast Iron



1000 SERIES

- ✔ Up to 150 psi (10.3 bar)
- 📏 2" / 3" / 4"
- ⚙️ Glass-filled Nylon



AIR CONTROL

- ✔ 5-200 psi (0.3-13.8 bar)
- 📏 2"
- ⚙️ Continuous Air & Vacuum Relief

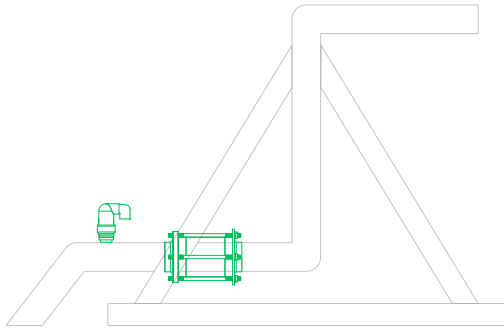


800 Series valves at pump station headworks. Washington, USA.

Solutions

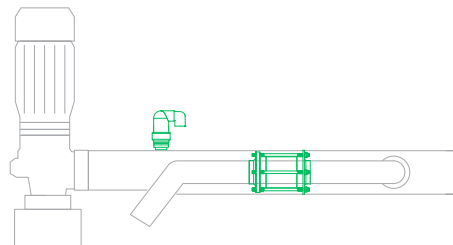
PIVOT POINT

Automate center pivots with pressure and/or flow control valves to prevent water hammer and pressure fluctuations.



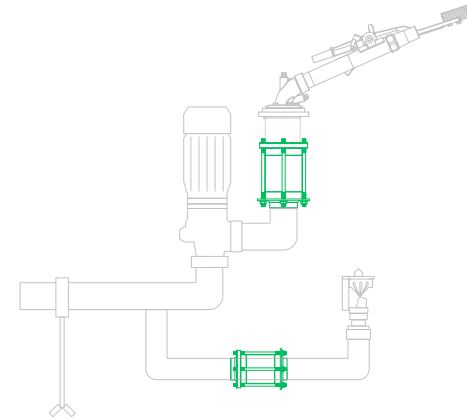
PRESSURE RELIEF

Protect the system with a pressure sustaining/relief valve that automatically opens when a pressure spike occurs.



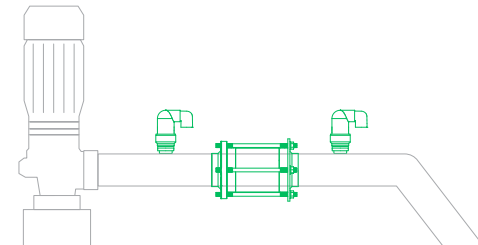
END GUN

Reliable primary or secondary end gun control valves.



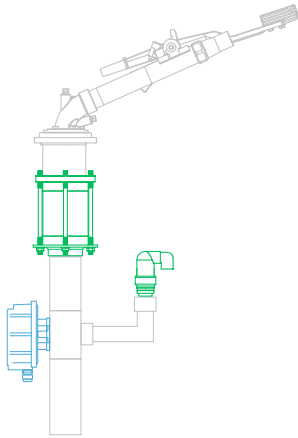
PUMP

Maintain hydraulic stability with continuous acting air vents and a pressure sustaining and/or reducing valve.



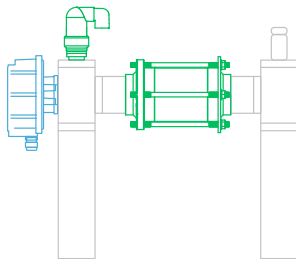
BIG GUN®

Control valves and TWIG® Wireless Controls make an automated solid set Big Gun® sprinkler system possible.



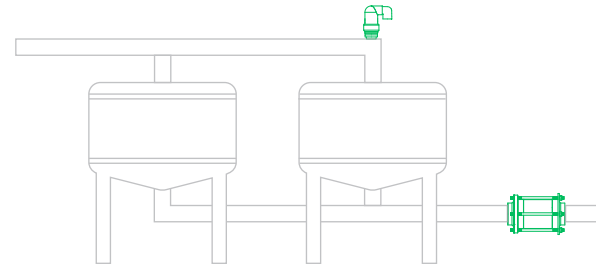
ZONE CONTROL

Precision irrigation requires continuously acting air vents and TWIG® wireless automated hydraulic valves.



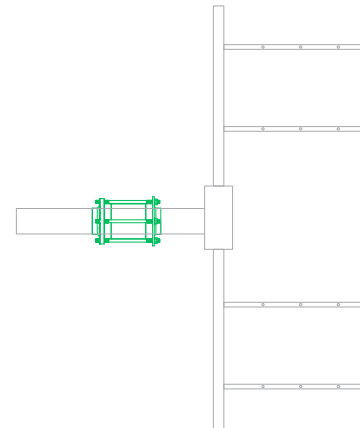
FILTER STATION

Get the air out with the ACV200, and use a pressure sustaining-normally open (PSNO) valve to provide optimum backflush pressure.



DRIP / LAYFLAT

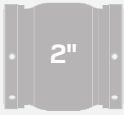


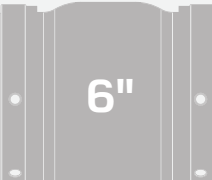

Accurate and stable pressure reducing valves maintain a truly constant pressure at each block for total farm uniformity.

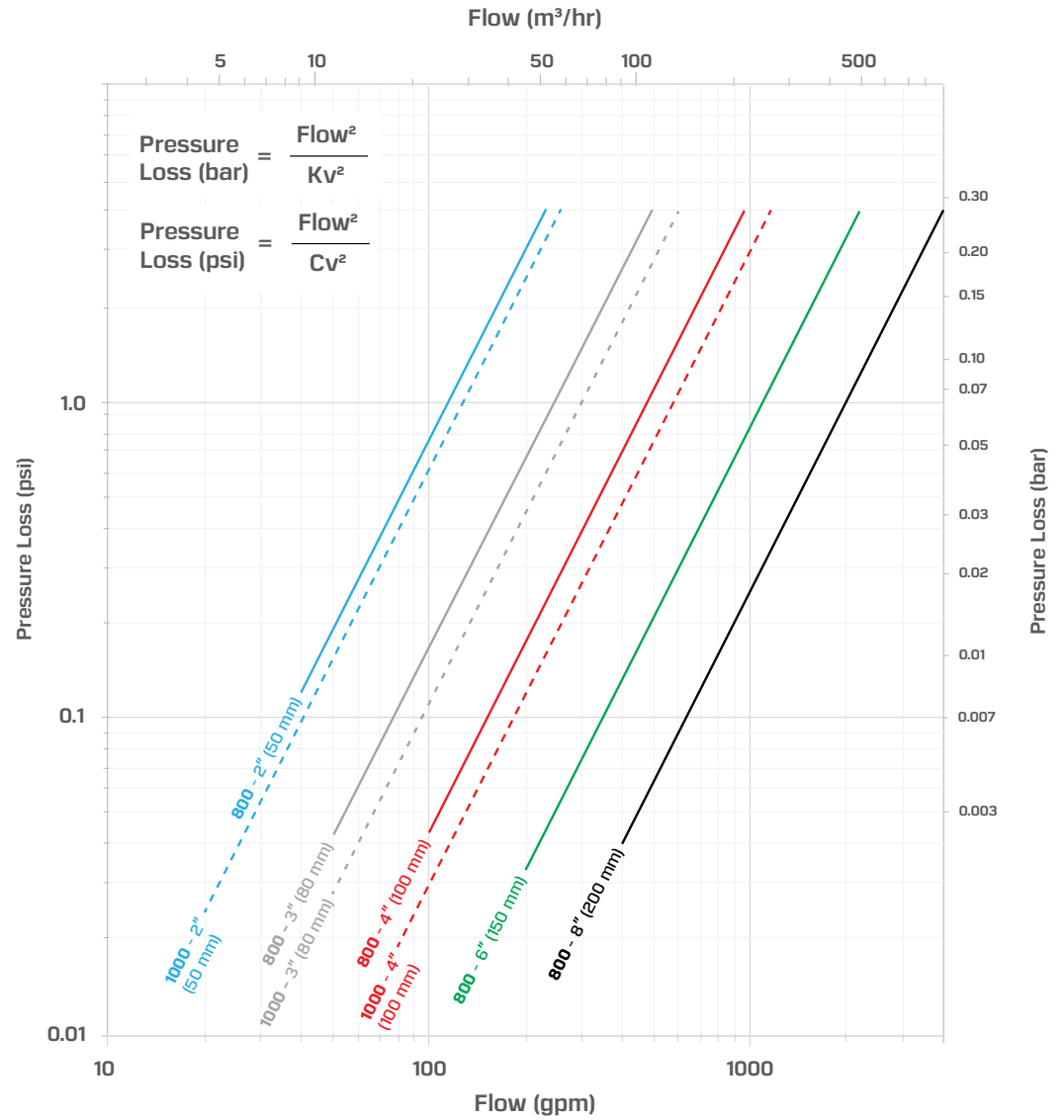


Efficient

HIGHEST FLOW CAPACITY AND LOWEST FRICTION LOSS

NELSON IRRIGATION - CONTROL VALVES

 2" 800 / 1000 Series	40-200 gpm 9-45 m³/hr Cv: 115 / 130 gpm Kv: 99 / 112 m³/hr
 3" 800 / 1000 Series	50-500 gpm 11-113 m³/hr Cv: 240 / 300 gpm Kv: 209 / 259 m³/hr
 4" 800 / 1000 Series	80-900 gpm 18-204 m³/hr Cv: 480 / 580 gpm Kv: 415 / 501 m³/hr
 6" 800 Series	200-1900 gpm 45-431 m³/hr Cv: 1100 gpm Kv: 951 m³/hr
 8" 800 Series	400-3500 gpm 90-795 m³/hr Cv: 2000 gpm Kv: 1729 m³/hr



Accurate

STABLE, ACCURATE PRESSURE REGULATION OVER A WIDER FLOW RANGE

PILOT

The most accurate and responsive pressure control in the industry - trusted by irrigators, proven by science.



1000 Series Pilot

EASY ADJUSTMENT

Fine-tune the pressure by hand; no tools required

ADJUSTMENT LABEL

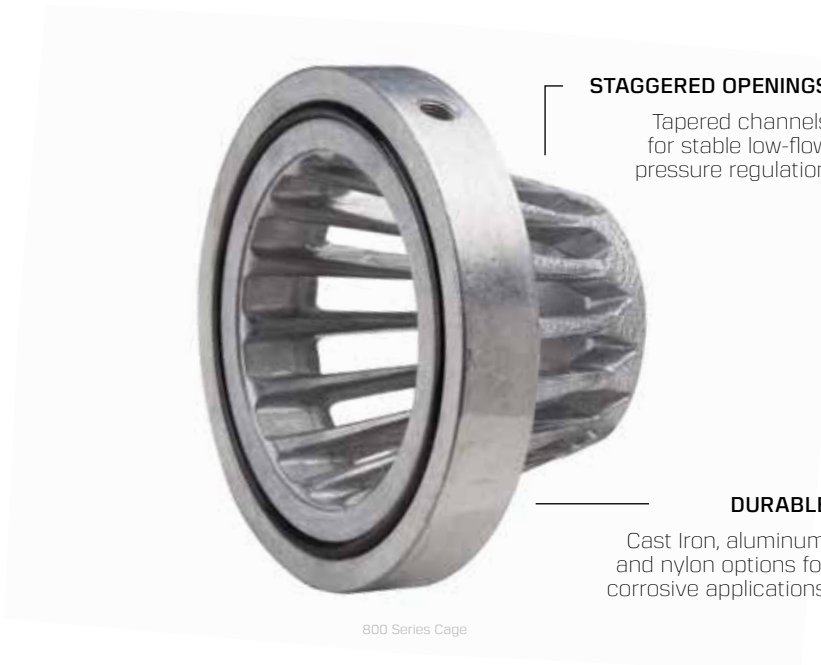
Simplifies setting the regulated pressure before installation

ACCURATE AND RESPONSIVE

Precision sensitivity bushing is engineered to valve size, and easily replaceable to customize performance for unique hydraulic conditions

PROPORTIONAL THROTTLING

Smooth open/close and stable pressure regulation across a wide range of flows.



STAGGERED OPENINGS

Tapered channels for stable low-flow pressure regulation

DURABLE

Cast Iron, aluminum, and nylon options for corrosive applications.

800 Series Cage

800 SERIES

INDUSTRIAL STRENGTH

The 800 Series Valve has set the standard in durability and efficiency since 1991. Used in industrial and agricultural applications alike, it is engineered for smooth open/close and stable pressure regulation.



SPECIFICATIONS

- ✔ 10-50 psi (0.7-3.4 bar) / 18-80 psi (1.2-5.5 bar) / 30-200 psi (2.1-13.8 bar)
- ⊖ Wafer, Threaded (2"/3"), Victaulic (2"/3")
- ⊗ Aluminum / Cast Iron

↓ 2" / 3" / 4" / 6" / 8"

- + On / Off: Manual / Electric Solenoid
- + Pressure Control: Reducing / Sustaining / Combo
- + Flow Control: Rate of Flow / Check
- + Primary Applications: Center pivot point and end gun, pump stations, filter stations

	2"	3"	4"	6"	8"
Cv (gpm)	115	240	480	1100	2000
Kv (m ³ /hr)	99	209	415	951	1729



FEATURES

PRESSURE CONTROL

Accurate 3-Way Pilot



FLOW CONTROL

Slow-fill pipelines with Rate of Flow control



TUBING PROTECTION

Protect against rodents and coyotes.



1000 SERIES

ENGINEERED ACCURACY

The 1000 Series excels in zone control where precision regulation and energy efficiency are critical. The single-cage design is resistant to plugging and is easy to clean.



SPECIFICATIONS

- ✔ 10-40 psi (0.7-2.8 bar) / 18-80 psi (1.2-5.5 bar) / 30-150 psi (2.1-10.3 bar)
- ⊖ Wafer, Threaded, Victaulic, PVC Socket
- ⊖ Glass-filled Nylon

ⓘ 2" / 3" / 4"

- + On / Off: Manual / Electric Solenoid
- + Pressure Control: Reducing / Sustaining / Combo
- + Primary Applications: Zone control, filter stations, pivot point, end gun

	2"	3"	4"
Cv (gpm)	130	300	580
Kv (m ³ /hr)	112	259	501



FEATURES

PRESSURE CONTROL

Accurate 3-way plastic pilot



TEE / ELBOW

For Certa-Set® systems



TWIG® WIRELESS

Simple and reliable automation.



ACV200

PROTECT YOUR INVESTMENT

Entrapped air wreaks havoc on irrigation systems by causing water hammer and pressure fluctuations. Rely on the ACV200 for continuous air relief under pressure when standard air vents slam closed.



SPECIFICATIONS

- ✓ 5-200 psi (0.3-13.8 bar)
- ⊕ 2" MNPT or 2" MBSP Inlet
- ⊕ 1 1/2" Socket Outlet
- ⊕ Glass-filled Nylon & Polypropylene
- ⊕ Air Relief
- ⊕ Vacuum Relief
- ⊕ Air Release Under Pressure

APPLICATIONS

- ⊕ Pump start up / shut down
- ⊕ Filter stations
- ⊕ Vent at high points
- ⊕ Before and after control valves
- ⊕ Big Gun® sprinkler risers.



FEATURES

REINFORCED SEAL
Improved reliability

SMALL PORT
Improved air separation



C O N T R O L VALVES



NELSON IRRIGATION CORPORATION

848 Airport Road
Walla Walla, WA 99362, USA
Tel: +1 509-525-7660
nelsonirrigation.com
info@nelsonirrigation.com

NELSON AUSTRALIA

20 Macadam Street
Seventeen Mile Rocks, QLD 4073
Tel: +61 7 3715 8555
nelsonirrigation.com.au
info@nelsonirrigation.com.au

NELSON IRRIGAÇÃO BRASIL

Rua Benedita Mano Schincariol
110. Mogi Mirim, SP. Brasil
Tel: +55 19 3806 5987
nelsonirrigation.com.br
info@nelsonirrigation.com.br

Nelson products are warranted for one year from date of original sale to be free of defective materials and workmanship when used within the working specifications for which the product was designed and under normal use and service. The manufacturer assumes no responsibility for installation, removal or unauthorized repair. The manufacturer's liability under this warranty is limited solely to replacement or repair of defective parts, and the manufacturer will not be liable for any crop or other consequential damages resulting from any defects in design or breach of warranty. THIS WARRANTY IS EXPRESSLY IN LIEU OF ALL OTHER WARRANTIES, EXPRESS OR IMPLIED, INCLUDING THE WARRANTIES OF MERCHANTABILITY AND FITNESS FOR PARTICULAR PURPOSES and of all other obligations or liabilities of manufacturer. No agent, employee or representative of the manufacturer has authority to waive, alter or add to the provisions of warranty, nor to make representations or warranty not contained herein.

Contact factory for complete list of materials and specifications.

See www.nicpat.com for latest patent information.

Certa-Set® is a registered trademark of NAPCO, a Westlake company, Houston, TX.

Big Gun®, TWIG® and Rotator® are registered trademarks of Nelson Irrigation Corporation.
Copyright ©2020 Nelson Irrigation Corporation.