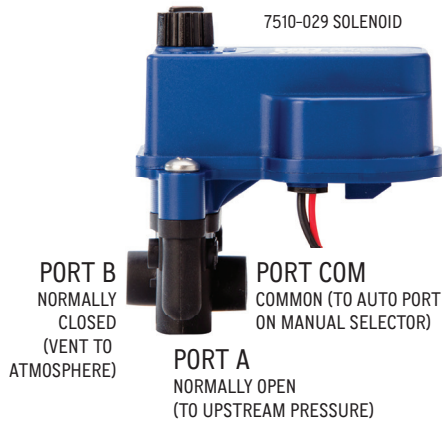
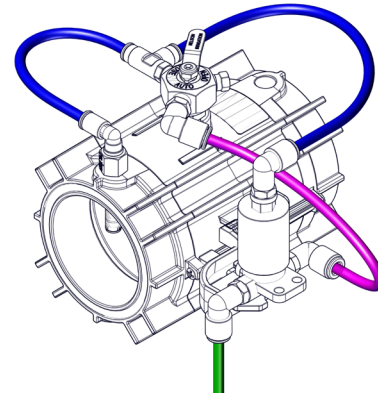


MANUAL SELECTOR WITH SOLENOID — Internal Filter

Valve Function with the Manual Selector in AUTO

Solenoid ENERGIZED: the valve is OPEN

Solenoid DE-ENERGIZED: the valve is CLOSED



PORT B
NORMALLY
CLOSED
(VENT TO
ATMOSPHERE)

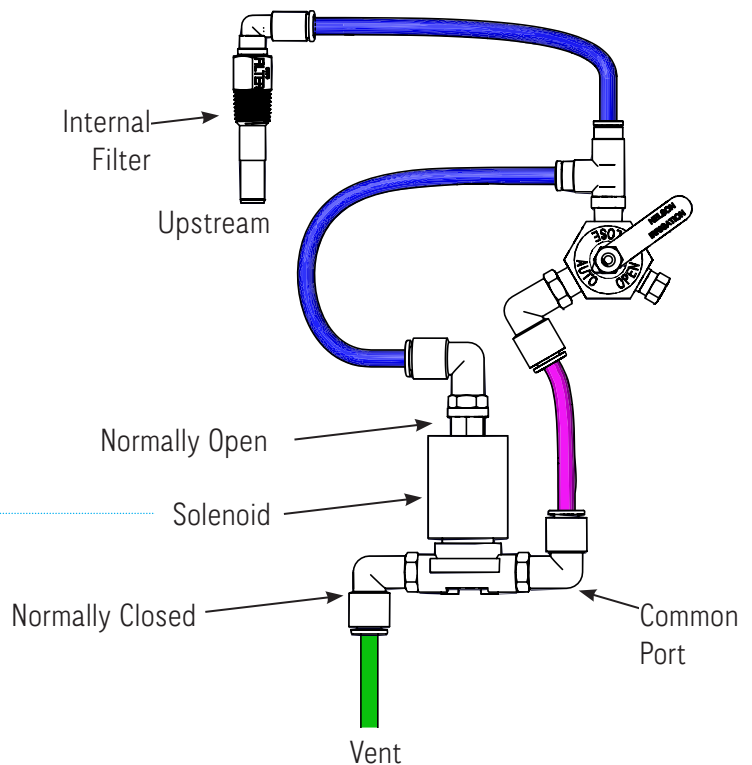
7510-029 SOLENOID
PORT COM
COMMON (TO AUTO PORT
ON MANUAL SELECTOR)

PORT A
NORMALLY OPEN
(TO UPSTREAM PRESSURE)



VALVE CLOSED:
UPSTREAM PRESSURE
(PORT A) IS APPLIED TO
THE CONTROL CHAMBER
(PORT COM)

VALVE OPEN:
CONTROL CHAMBER
(PORT COM) IS VENTED TO
ATMOSPHERE (PORT B)



PRESSURE REDUCING WITH SOLENOID – Internal Filter

Valve Function with the Manual Selector in AUTO

Solenoid ENERGIZED: the valve will accurately maintain a constant DOWNSTREAM pressure

Solenoid DE-ENERGIZED: the valve is CLOSED

