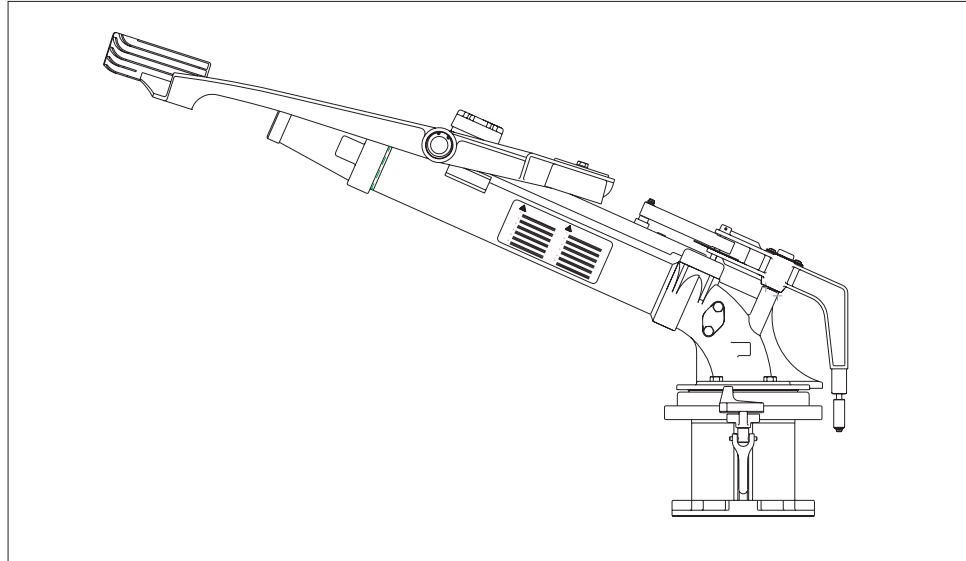
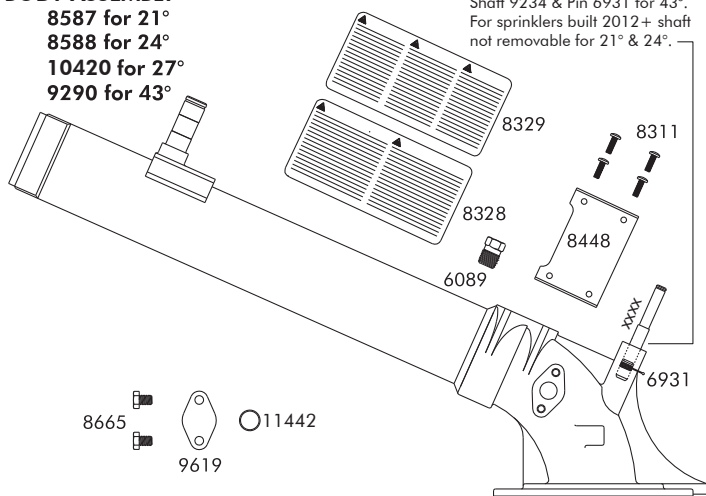


innovation in irrigation™

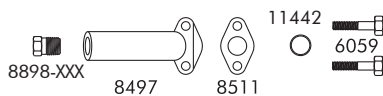
NELSON**SR150 BIG GUN®****SR150 BIG GUN® PARTS LIST****BODY ASSEMBLY**

8587 for 21°
8588 for 24°
10420 for 27°
9290 for 43°

Shaft 10017 & Pin 6931 for 27°.
Shaft 9234 & Pin 6931 for 43°.
For sprinklers built 2012+ shaft
not removable for 21° & 24°.



8665
9619
11442

Secondary Nozzle Kit 9724

8898-XXX

8497

8511

11442

6059

6059

8460*

12736

part number

9822

SERVICE KIT, COMPLETE, SR100

description

Service Kit, Drive Arm & Counterweight

— SR100/SR150

qty.

1

12737

Service Kit, Bearing Assy — HD150

1

12804

Service Kit, Trip Lever — SR100/SR150

1

12805

Service Kit, Shift Lever — SR100/SR150

1

8328

Label, Warning — English, Spanish, Chinese

1

8329

Label, Warning — German, French, Swedish

1

8354

Vane, Drive — SR150

1

XXXX**BODY ASSEMBLIES, SR150**

10017

Shaft, Trip Lever, 27° — SR150

1

6089

3RN Plug

1

6931

Pin, Coiled Spring, .125 x .75"

1

Note: Pin only used on 27° & 43° Models

8311

Screw, #8-32 x .375"

1

Self-Tapping Pan HD

1

8328

Label, Warning — English, Spanish, Chinese

1

8329

Label, Warning — German, French, Swedish

1

8448

Bracket, Stop — SR150

1

8665

Screw, .25-.20 x .375" Hex HD Cap

1

9234

Shaft, Trip Lever — SR150 43°

1

9289

Tube & Elbow Assy, 43° — SR150

1

9619

Plate, Cover — Secondary Elbow Port

1

11442

O-ring

1

9724**SECONDARY NOZZLE KIT**

6059

Screw, .25-20 x 1.25" Hex Hd Cap

2

8898-219

3RN Nozzle, 7/32"

1

8898-312

3RN Nozzle, 5/16"

1

8497

Elbow, Secondary Nozzle

1

8511

Gasket

1

11442

O-ring

1

MISC.

8460

Gasket, Elbow — SR150

1

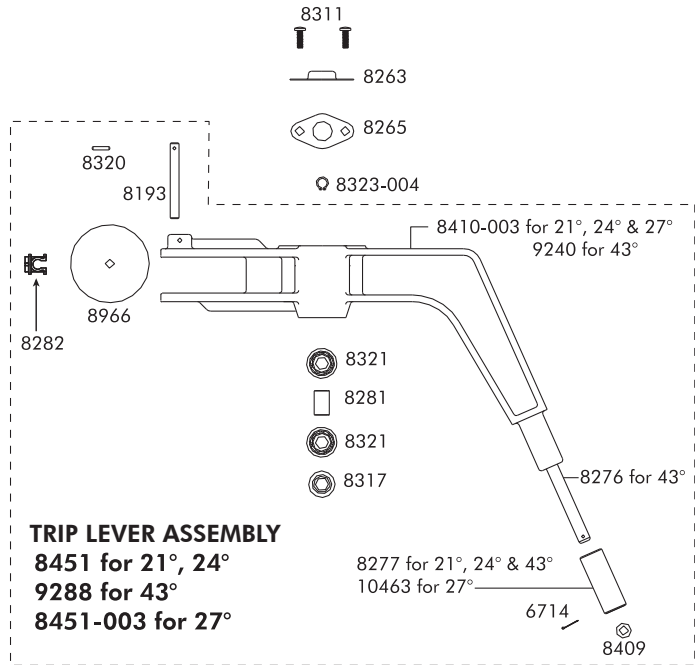
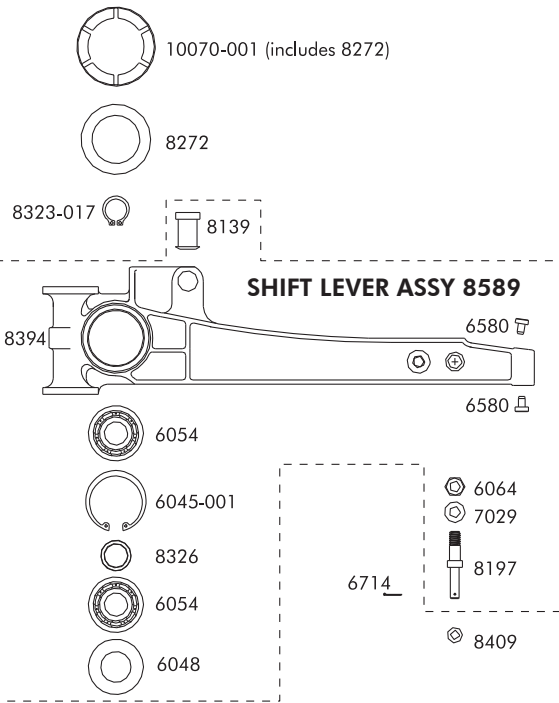
*Only used on guns manufactured before March 2013.

8589	SHIFT LEVER ASSEMBLY, SR150	
part number	description	qty.
6045-001	Ring, Retaining — Internal	1
6048	Seal	1
6054	Bearing, Ball	2
6064	Nut, 5/16-18	1
6580	Insert, Rest Pad	2
7029	Washer, Lock, 5/16"	1
8139	Bumper	1
8197	Pin, Shift	1
8326	Spacer	1
8394	Lever, Shift	1

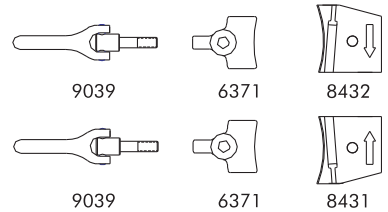
12805	SERVICE KIT, COMPLETE, SR150	
6048	Seal, Radial Lip, 1.575" X .875" X .250"	1
6054	Bearing, Ball, 17 X 40 X 12mm Open	2
8272	Gasket, Shift Lever Cap - SR100	1
8323-017	Ring, Retaining, -66 Basic Internal	1

XXXX	TRIP LEVER ASSEMBLY, SR150	
6714	Pin, Cotter, .062 x .50"	1
8193	Pin, Stop — SR100	1
8276	Shaft, Roller	1
8277	Roller — SR100 Trip	1
8281	Spacer, Trip Lever — SR100	1
8282	Follower, Trip Spring — SR Big Guns	1
8317	Seal, Trip Lever — SR100	1
8320	Pin, Coiled Spring, .094 x .50"	1
8321	Bearing, Ball — 8 x 22 x 7 mm	2
8409	Washer — SR100 Roller	1
8410-003	Lever, Trip — SR150 Die Cast	1
8966	Washer — Trip Lever	1
9240	Lever, Trip — SR150 43°	1
10463	Roller, Trip — SR150 27°	1

12804	SERVICE KIT, TRIP LEVER, SR100/SR150	
6714	Pin, Cotter, .062" X .50"	2
8265	Gasket, Trip Lever Cap — SR100	1
8282	Follower, Trip Spring — SR Big Guns	1
8311	Screw, #8-32 X .375" Lg Phil Pan Head Self Tap	2
8317	Seal, Radial Lip, .750" X .375" X .250"	1
8321	Bearing, Ball, 8 X 22 X 7 Mm, Open	2
8323-004	Ring, Retaining, -31 Basic Internal	1



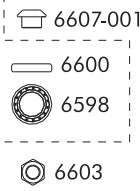
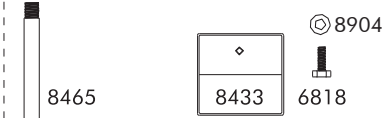
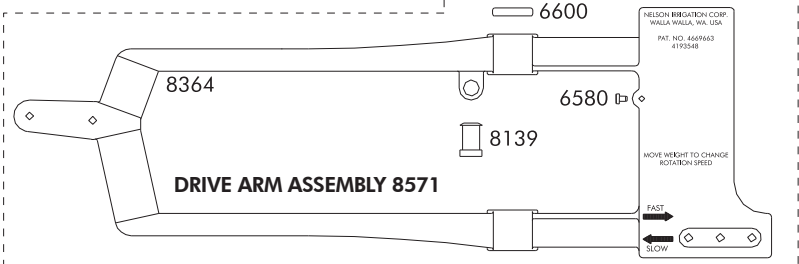
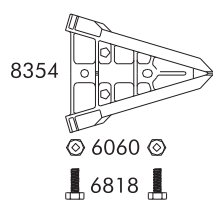
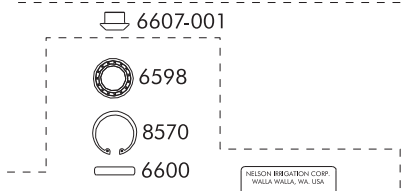
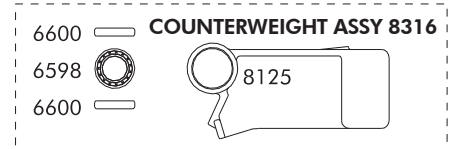
FINAL ASSEMBLY COMPONENTS, SR150		
6371	Clamp — SR150	2
6714	Pin, Cotter, .062 x .50"	1
8263	Cap, Trip Lever — SR100	1
8265	Gasket, Trip Lever Cap — SR100	1
8272	Gasket, Shift Lever Cap — SR100	1
8311	Screw, #8-32 x .375"	
	Self-Tapping Pan HD	2
8323-004	Ring, Retaining, -31, Basic External	1
8323-017	Ring, Retaining, -66, Basic External	1
8409	Washer — SR100 Roller	1
8417	Stop, Trip Spring	1
8431	Stop, CW — SR150	1
8432	Stop, CCW — SR150	1
8446	Guide, Spring — SR150	1
8470	Spring, Trip	1
9039	Flex Handle Assembly	2
10070-001	Cap Assembly, Shift Lever	1



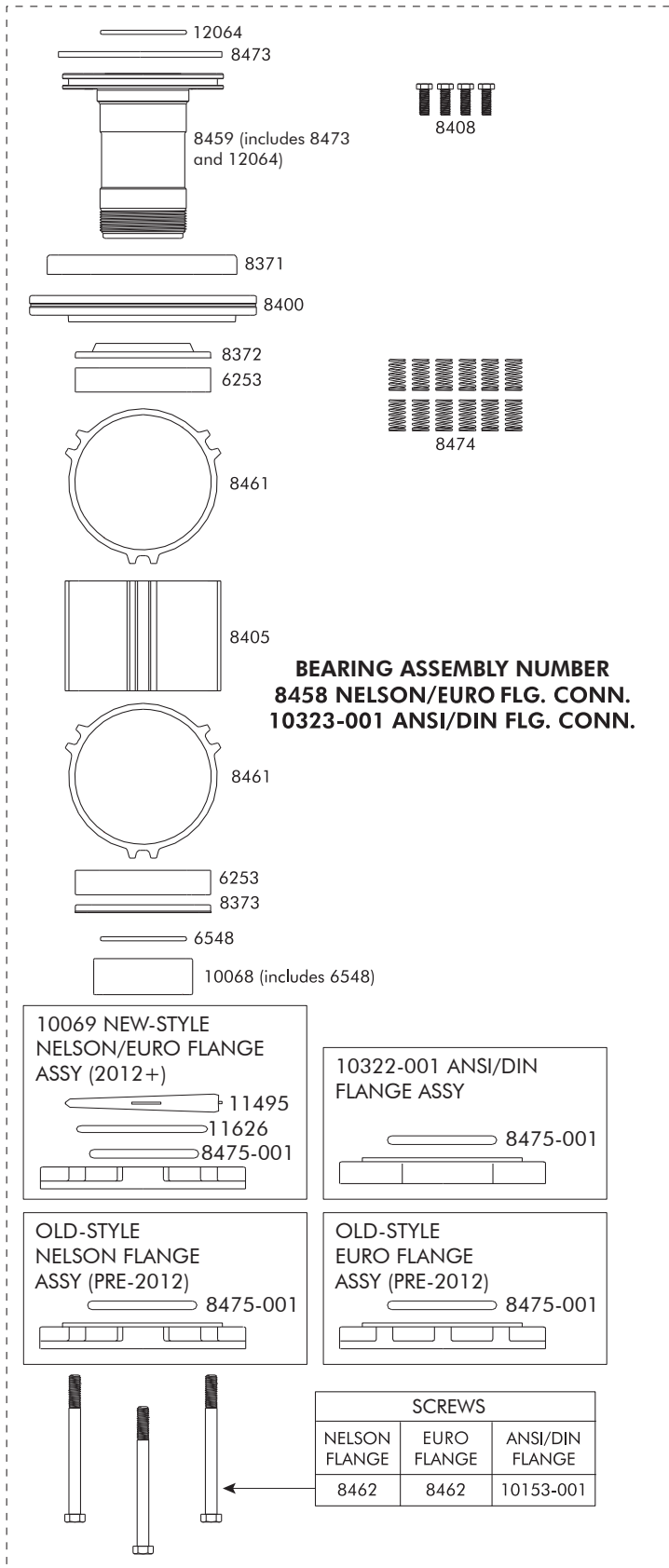
8316	COUNTERWEIGHT ASSEMBLY, SR100	
part number	description	qty.
6598	Bearing, Ball	1
6600	Seal, Oil	2
8125	Counterweight — SR100	1

8571	DRIVE ARM ASSEMBLY, SR150	
6580	Insert, Rest Pad	1
6598	Bearing, Ball	2
6600	Seal	2
8139	Bumper	1
8364	Arm, Drive	1
8570	Ring, Retaining — Internal	1

9822	SERVICE KIT, DRIVE ARM & COUNTERWEIGHT, SR100/SR150	
6563	O-Ring, -024	2
6565	Ring, Retaining, -125 Basic Internal, SS	2
6598	Bearing, Ball, 12 X 32 X 10mm, Open	3
6600	Seal, Radial Lip, 1.260" X .625" X .250"	4
6603	Nut, .4375-20 Hex Spcl — F100/SR100/SR150	2
6607-001	Spacer, Cone, Teflon Coated	2
8327-001	Spacer, Drive Arm To Cwt — SR100/SR150	1
9821	Grease, Lubriplate 130-Aa, 1.75 oz Tube	1



FINAL ASSEMBLY COMPONENTS, SR150		
6060	Nut, .25-20	2
6563	O-Ring, -024 BN70	1
6565	Ring, Retaining, -125 Basic Internal	2
6603	Nut, .438-20 Special	2
6607-001	Spacer, Cone, Teflon Coated	2
6818	Screw, .25-20 x .75" Hex HD Cap	3
8327-001	Spacer, Coated — Drive Arm to CWT	1
8354	Vane, Drive — SR150	1
8433	Weight, Drive Arm — SR150	1
8465	Shaft, Drive Arm — SR150	1
8904	Washer, Spring Lock, 1/4"	1
10067-001	Cap Assembly, Arm Bearing	2



BEARING ASSEMBLY NUMBER
8458 NELSON/EURO FLG. CONN.
10323-001 ANSI/DIN FLG. CONN.

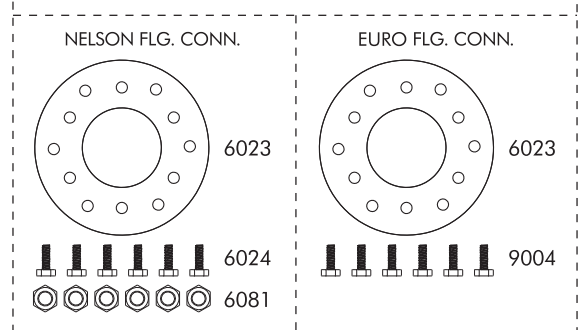
BEARING ASSEMBLY HD150

6253	Bearing, Ball	2
6548	O-Ring -230	1
8371	Brake	1
8372	Seal, Upper	1
8373	Seal, Center	1
8400	Cover	1
8405	Housing	1
8408	Screw, 5/16-18 x 7/8" Hex Hd Cap	4
8459	Stem Assembly	1
8460	Gasket, Elbow	1
8461	Gasket, Housing	2
8462	Screw, Hex Cap, 3/8-16 x 4 1/2" LG.	3
8473	Seal, Dust	1
8474	Spring, Brake	12
8475-001	O-Ring -338 w/ Grease & Graphite	1
10068	Retainer Assembly	1
10069	Nelson/Euro Flange Assy	1
10153-001	Screw, 3/8-16 x 4.50" Hex Skt Hd Cap	3
10322-001	ANSI/DIN 3" Flange Assy	1
11495	Retainer, O-Ring - HD150	1
11626	O-Ring, -155 BN70	1
12064	O-Ring, -334 BN70	1

MOUNTING HARDWARE

6023	Gasket, Nelson/Euro Flange	1
6024	Bolt, 3/8-16 x 1 1/2" LG.	6
6081	Nut, 3/8-16	6
9004	Screw, M8 x 1.25 x 25 mm Hex Hd Cap	6

FLANGE GASKET AND FASTENERS FOR GUN MOUNTING



12737 SERVICE KIT, BEARING ASSEMBLY - HD150

6253	Bearing, Ball, 70mm X 110mm X 20mm, One Seal	2
8371	Brake - Hd150	1
8372	Seal, Upper - Hd150	1
8373	Seal, Center - Hd150	1
8460	Gasket, Elbow - Sr150	1
8461	Gasket, Housing - Hd150	2
8473	Seal, Dust - Hd150	1
8474	Spring, Brake - Hd150	12
8475-001	O-Ring	1
10068	Retainer Assembly - Hd150	1
12064	O-Ring	1
6143-001	Grease, Lubriplate Low-Temp, 16 Oz Can	1

WARRANTY AND DISCLAIMER
Nelson Big Gun sprinklers are warranted for one year from date of original sale to be free of defective materials and workmanship when used within the working specifications for which the product was designed and under normal use and service. The manufacturer assumes no responsibility for installation, is limited solely to replacement or repair of defective parts, and the manufacturer will not be liable for any crops or other consequential damages resulting from any defects or breach of warranty. THIS WARRANTY IS EXPRESSLY IN LIEU OF ALL OTHER WARRANTIES, EXPRESS OR IMPLIED, INCLUDING THE WARRANTIES OF MERCHANTABILITY AND FITNESS FOR PARTICULAR PURPOSES AND OF ALL OTHER OBLIGATIONS OR LIABILITIES OF MANUFACTURER. No agent, employee or representative of the manufacturer has authority to waive, alter or add to the provision of the warranty, nor to make any representations or warranty not contained herein.